

CM-9 Mini Cam Locks

Fixed core

Features

- Compact design
- Non-shuttered lock core
- Cams sold separately

Material

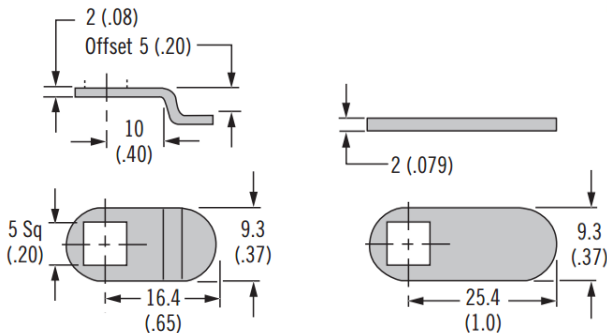
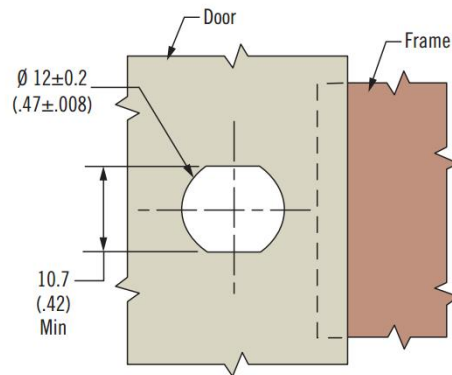
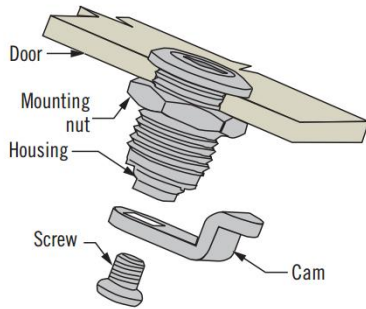
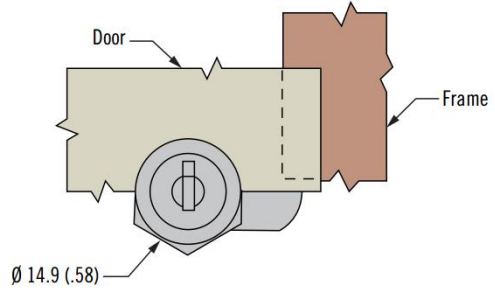
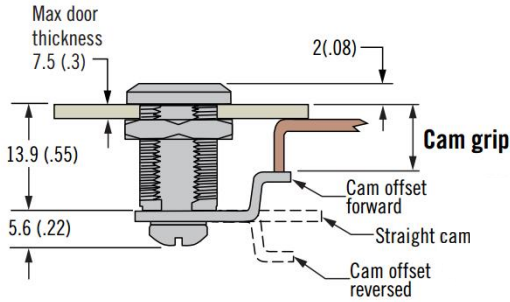
- Lock: Zinc alloy, chrome plated or black powder coated
- Cam: Steel, zinc plated

Product Performance

- Average ultimate load on cam: 160 N

Installation Notes

- Install mounting nut and tighten to 4 N.m
- Install cam to assembly
- Properly orientate for rotation and grip
- Install screw. Tighten to 4 N.m



Cam - Offset

Cam - Straight

Cam Grip		
Cam Grip	Cam Type	Cam Part Number
9.7 (.38)	Offset forward	CM-M101
15.4 (.61)	Straight	CM-M002
21.3 (.84)	Offset reverse	CM-M101

F Housing Finish

- B Black powder coated
- C Chrome plated

S Style

- 12N Wing
- 21B Key-locking

CM - 9 - 1 **F** 109 - **S** - **KC**

KC Key Code

Omit for wing style

KA Keyed alike M01 (2 keys supplied)

KD Keyed differently (10 key codes provided in a non-master key system) M01 to M10 (2 keys supplied)

CM / PT Cam Locks

Accessories · Keys · Spares



Accessories (Add adjustment value to door thickness when accessory is used)

Metal Dust Cover



Metal Pull Tab



Plastic Dust Cover



Trim Washer



Pull Tab - In-Line



Prong Washer



Pull Tab - Perpendicular



Sealing Washer



Overmolded Key



Plain Key



Item	Part Number	Material	Adjustment Value	Suitable for		
				CM	Mini CM	PT
Metal dust cover	CM-A-10-01	Zinc alloy, chrome plated and stainless steel	0.7 (.027)	✓		✓
Plastic dust cover	90-2	Santoprene, black	2.1 (.085)	✓		✓
Pull tab - In-line	CM-A-08-01	Nylon, black	2.1 (.085)	✓		✓
Pull tab - Perpendicular	CM-A-08-02	Nylon, black	2.1 (.085)	✓		✓
Metal pull tab	CM-A-09	Stainless steel	1.5 (.059)	✓		✓
Trim washer	CM-A-07-N	Steel, nickel plated	0.8 (.031)	✓		✓
Prong washer	CM-A-04	Steel, plated	0.9 (.035)	✓		✓
Sealing washer	CM-A-03	Rubber, black	1.0 (.039)	✓		✓

Keys

Item	Part Number	Suitable for		
		CM	Mini CM	PT
Plain key CH751 pair	PK-10-01	✓		
Overmolded key CH751 pair	PK-10-01-05	✓		
Overmolded key CH751 single	PK-10-10-05	✓		
Control (removal) key single	PK-11-03	✓		
Master key single	PK-24-01	✓		
Plain key M01 pair	PK-10-01-M01		✓	
Tubular key T0001 pair	PK-60-01-T0001			✓

Replacement Parts

Item	Part Number	Material	Suitable for		
			CM	Mini CM	PT
Housing mounting nut	CM-A-01	Zinc alloy	✓		
Housing mounting nut	PT-A-04-01				✓
Housing mounting nut	CM-B-01			✓	
Housing mounting clip	CM-A-05	Spring steel, plated	✓		
Cam mounting screw	CM-A-02	Steel, plated	✓		
Cam mounting screw	CM-B-03			✓	
Tooth washer hex nut	CM-A-12		✓		
Lockwasher	PT-A-09				✓
Cam mounting nut	PT-A-05-01				✓